

VYKON enterprise security enclosures

PRODUCT DEFINITION

VYKON Enterprise Security enclosures provide a secure environment for mounting JACE® controllers and ancillary control modules. The enclosures are equipped with key lock, tamper switch, DIN rail for easy mounting and removable cover. They are offered in three sizes to accommodate a variety of installation options. Knockouts are provided on the top, bottom and sides for external connections. Threaded pre-drilled holes for mounting and studs for terminating wire shields reduce installation time.

HARDWARE SPECIFICATIONS

Large and medium enclosures are available with optional factory-mounted universal power supplies that plug directly into the SEC-RIO, SEC-R2R, IO-16-485, SEC-602 and SEC-616. Large and medium enclosures provide space for two sealed lead acid 7AH batteries.

Large enclosure

The large enclosure is equipped with two DIN rails, battery cables and rail-to-rail jumper cable to connect modules or the VYKON Security JACE 602/616 from the top to bottom DIN rails. Space is provided in the cabinet for two 7AH SLA batteries. The top rail accommodates a JACE 8000 and up to three communication modules, or NPB-PWR-UN power supply and SEC-602/616 VYKON Security JACE, or three SEC-R2R modules, or one SEC-RIO module and one SEC-R2R modules. The lower rail accommodates four SEC-R2R modules, or two SEC-RIO modules, or one SEC-RIO module and two SEC-R2R modules, or four IO-16-485 modules. Other combinations are possible.

Medium enclosure

The medium enclosure is equipped with one DIN rail and battery cables. Space is provided in the cabinet for two 7AH SLA batteries. The rail accommodates a JACE 8000 and up to three communication modules, or NPB-PWR-UN power supply and SEC-602/616 VYKON Security JACE, or three SEC-R2R modules, or one SEC-RIO module and one SEC-R2R module. Other combinations are possible.

Small enclosure

The small enclosure has a DIN rail and accommodates one SEC-R2R module or one IO-16-485 module.

POWER MODULE SPECIFICATIONS

Power modules are DIN rail-mountable, with screw terminals for power input wiring and six-position power connector that aligns with connectors on the VYKON Security JACE 602/616, SEC-R2R, SEC-RIO and IO-16-485.

AGENCY CERTIFICATIONS

NEMA 1 Category

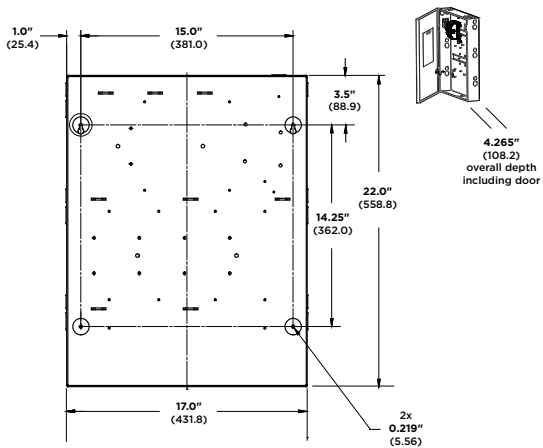
RoHS

UL 294 - Access Control System Units

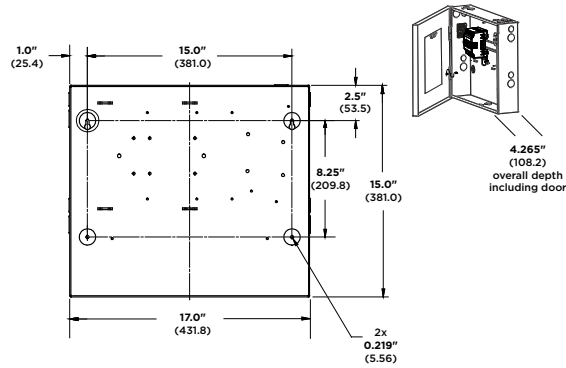


DIMENSIONS

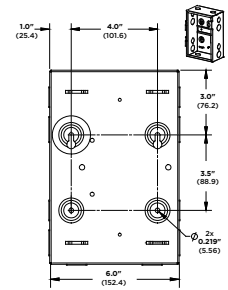
Large enclosure



Medium enclosure



Small enclosure



ORDERING INFORMATION

| Part number | Description |
|--------------|--|
| SEC-ENC-SML | Small enclosure with DIN rail, tamper switch and key lock. Single reader module only. Dimensions: 6"W x 9"H x 4"D; Manufactured in the USA |
| SEC-ENC-MED | Medium enclosure with DIN rail, tamper switch, key lock and capacity for user-provided SLA batteries. Configurable options include VYKON Security JACE, 2 reader modules or remote IO module. Note: Universal power supply is included with enclosure Dimensions: 17"W x 15"H x 4"D; Manufactured in the USA |
| SEC-ENC-MNP* | Medium supply enclosure without power supply |
| SEC-ENC-LRG | Enclosure with DIN rail, tamper switch, key lock and capacity for user-provided SLA batteries. Enclosure includes 2 DIN rails for additional module expansion. Configurable options include VYKON Security JACE, 4 reader modules or 2 remote IO modules. Note: Universal power supply is included with enclosure Dimensions: 17"W x 22"H x 4"D; Manufactured in the USA |
| SEC-ENC-LNP* | Large enclosure without power supply |
| NPB-PWR | 24 VAC/DC power supply module, 15 VDC 30W output DIN-rail mountable; Manufactured in the USA |
| NPB-PWR-UN | 90 - 263 VAC 50/60 Hz auto-sensing power supply module, 15 VDC 30W output DIN-rail mountable |

*For JACE 8000 installations, SEC-ENC-MNP or SEC-ENC-LNP are recommended. When using a JACE 8000 for security applications, an auxiliary 24 V supply with battery backup is required.

To learn more about how to purchase and install enclosures for VYKON Enterprise Security, contact your VYKON partner. The global community of certified Niagara professionals can serve your unique business needs across any industry or geographic region.



vykon.com

© 2017 Tridium Inc. All rights reserved. All other trademarks and registered trademarks are properties of their respective owners.

Information and/or specifications published here are current as of the date of publication of this document. Tridium, Inc. reserves the right to change or modify specifications without prior notice. The latest product specifications can be found by contacting our corporate headquarters, Richmond, Virginia. Products or features contained herein may be covered by one or more U.S. or foreign patents. This document may be copied only as expressly authorized by Tridium in writing. It may not otherwise, in whole or in part, be copied, photocopied, reproduced, translated, or reduced to any electronic medium or machine-readable form.

2017-0006VK